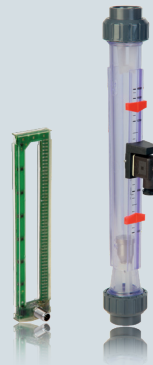
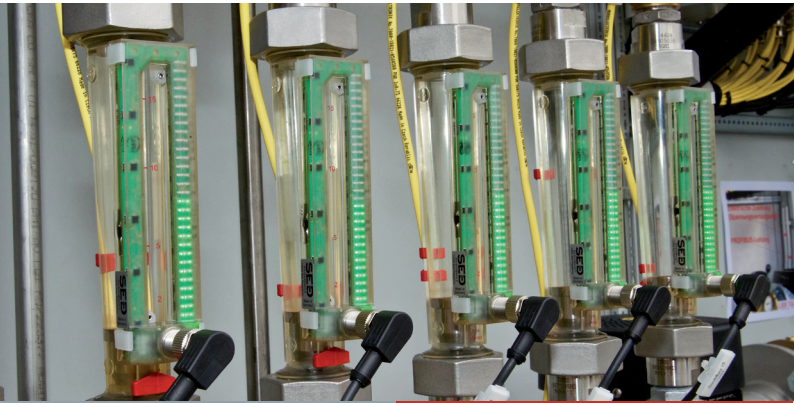


SAMSON

SAMSON SED

CATALOG



Variable Area Flowmeter EASYFLOW

Easyflow - Applications



Monitoring of the flow of concentrate and recirculation of a Reverse Osmosis Water Treatment Plant



Reverse Osmosis System



Cooling Water Distribution System in a Glass Melting Factory



Water Treatment Plant in the Automotive Industry

Easyflow - Variable Area Flow Meters

These flowmeters operate according to the variable area principle, where a float is suspended in upward flowing media in a tapered plastic tube. The vertical position of the float within the metering tube depends on the flowrate of the media.

The measuring range is usually 1:10 where the scale is uniformly graded on the measuring tube. The measured value is determined by the upper edge of the float and can be easily read on the scale.

The rotameter is suitable for liquids and gases and it provides a cost effective solution for flow measurement in l/h, Nm³/h, %, or other units. On request double scales are also available, such as l/h and %.

SED offers attractive components for contactless monitoring and automatic detection such as the Reed Contact Switch and especially, the measuring sensor for continuous data acquisition, programmable via touch panel.

MAIN FEATURES

- Wide choice of measuring scales
- Wide choice of end connections
- Eight different diameters
- Five different tube lengths
- Three different plastic tube materials
- SS and PP float materials
- Special and double scales available
- Good level of accuracy with simple operation
- Easy to maintain

Accessories

- Transmitter for the continuous contactless measurement acquisition
- Reed switch for contactless monitoring of measured values

CLASSIFICATION

	liquid	gas	long	short
700	•		•	
701		•	•	
750	•			•
751		•		•



Tube material: PVC

PA

PSU

INSTALLATION DETAILS

When the flowmeter is used in a system provided with control valves, the following criteria must be observed:

- With liquid media, isolating or control valves may be mounted both upstream or downstream the flowmeter
- With gaseous media, control valves are recommended to be mounted downstream the flowmeter
- All control valves must be open slowly and gradually due to the high sensitivity of the float to flow variations.
- Flowmeter must be mounted vertical

VERSATILITY

Metering tubes are available in Trogamid (PA), suitable for inert media, PVC and Polysulfone (PSU) suitable for many corrosive media. Male threads moulded onto the end of the metering tube are used for easy mounting of unions. Standard unions are in PVC-U but others are available according to the different working conditions.

The floats are available in Stainless Steel 1.4571 (AISI 316 Ti) and PP depending on flow medium and measuring range.

All the flowmeters are equipped with min-max visual flow indicators fully adjustable. In addition, the flowmeters can be fitted with min-max flow switches or measuring sensor. When fitting the electrical accessories, a float with magnet must be installed in the flowmeter.

Easyflow - Technical Data

<p>Diameter Range</p> <ul style="list-style-type: none"> - Type 700 d25 (3/4"); d32 (1"); d40 (1 1/4"); d50 (1 "); d63 (2"); d75 (2 ") - Type 750 d16 (3/8"); d20 (1/2"); d25 (3/4"); d32 (1") 	<p>Standard media*</p> <ul style="list-style-type: none"> - Water - Hydrochloric Acid (HCl 30%) - Sodium Hydroxide (NaOH 30%) - Sodium Hydroxide (NaOH 50%) - Air (20°C / 1013 mbar abs.)
<p>Materials</p> <ul style="list-style-type: none"> - Measuring tube Transparent PVC-U; Trogamid (PA); Polysulfon (PSU) - Float Stainless Steel 1.4571 (AISI 316 Ti); PP; Stainless Steel 1.4571 (AISI 316 Ti) + magnet; PP + magnet - Union ends PVC-U; PVC-C; PP-H; Stainless Steel 1.4571 (AISI 316 Ti); Malleable Iron - O-rings EPDM; FPM 	<p>Maximum working pressure**</p> <ul style="list-style-type: none"> - Transparent PVC-U 10 bar (145 psi) with water up to 25 °C (77 °F) 1.5 bar (22 psi) with water up to 60 °C (140 °F) - Trogamid (PA) 10 bar (145 psi) with water up to 50 °C (122 °F) - Polysulfon (PSU): 10 bar (145 psi) with water up to 70 °C (158 °F) 6 bar (87 psi) with water up to 100 °C (212 °F)
<p>Standards</p> <ul style="list-style-type: none"> - PVC-U Solvent welding metric size according to: ISO 727, EN 1452, DIN 8063 Parallel threads according to: UNI ISO 228/1, DIN 2999, BS 21 Others available on request - PVC-C Solvent welding metric size according to: ISO 727, EN ISO 15493 - PP-H Socket fusion according to: DIN 16962 - Stainless Steel 1.4571 (AISI 316 Ti) Parallel threads according to: UNI ISO 228/1, DIN 2999, BS 21 - Malleable Iron Parallel threads according to: UNI ISO 228/1, DIN 2999, BS 21 	<p>Working temperature range**</p> <ul style="list-style-type: none"> - Transparent PVC-U from 5 °C (41 °F) to 60 °C (140 °F) - Trogamid (PA) from -20 °C (-4 °F) to 50 °C (122 °F) - Polysulfon (PSU) from -20 °C (-4 °F) to 100 °C (212 °F) <p>Standard and Approvals</p> <ul style="list-style-type: none"> - Manufactured under ISO 9001 (Quality Management) - Manufactured under ISO 14001 (Environmental Management)

* Other media on request
** Depends on union end material
(see Pressure / Temperature table for details page 5)

VERSIONS

	Water	NaOH	HCl	Air
Float material				
PP	●	●	●	
PP + magnet	●	●	●	
1.4571 (AISI 316 Ti)	●	●		
1.4571 (AISI 316 Ti) + magnet	●	●		
PP air				●
PP air + magnet				●
Tube material				
PVC-U	●	●	●	
Trogamid (PA)	●			●
Polysulfone (PSU)	●	●	●	

Easyflow - Variable Area Flow Meters

PRESSURE TEMPERATURE CORRELATION

Temperature °C		-20	-10	0	5	10	20	25	30	40	50	60	70	80	90	100
Tube material	Union material	Operating pressure [bar]														
PVC-U	PVC-U				10,0	10,0	10,0	10,0	8,0	6,0	3,5	1,5				
	PVC-C				10,0	10,0	10,0	10,0	8,0	6,0	3,5	1,5				
	PP				10,0	10,0	10,0	10,0	8,0	6,0	3,5	1,5				
	Malleable Iron				10,0	10,0	10,0	10,0	8,0	6,0	3,5	1,5				
	Stainless steel				10,0	10,0	10,0	10,0	8,0	6,0	3,5	1,5				
Trogamid (PA)	PVC-U				10,0	10,0	10,0	10,0	8,0	6,0	3,5	1,5				
	PVC-C				10,0	10,0	10,0	10,0	8,5	6,5	5,0	3,5				
	PP				10,0	10,0	10,0	10,0	8,5	7,0	5,5	4,0				
	Malleable Iron	15,0	15,0	15,0	15,0	15,0	15,0	15,0	13,5	12,0	10,7	9,5				
	Stainless steel	15,0	15,0	15,0	15,0	15,0	15,0	15,0	13,5	12,0	10,7	9,5				
Polysulfon (PSU)	PVC-U				10,0	10,0	10,0	10,0	8,0	6,0	3,5	1,5				
	PVC-C				10,0	10,0	10,0	10,0	8,5	6,5	5,0	3,5	2,5	1,5		
	PP			10,0	10,0	10,0	10,0	10,0	8,5	7,0	5,5	4,0	2,7	1,5	0,8	
	Malleable Iron	15,0	15,0	15,0	15,0	15,0	15,0	15,0	14,0	13,0	12,0	11,0	9,7	8,5	7,7	6,0
	Stainless steel	15,0	15,0	15,0	15,0	15,0	15,0	15,0	14,0	13,0	12,0	11,0	9,7	8,5	7,7	6,0

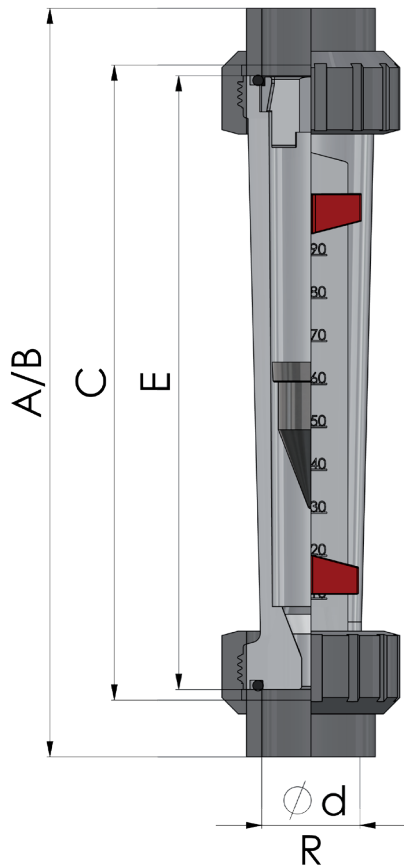
TYPE 700 (LIQUID FLUID) PRESSURE LOSS

Size Float Material	d25 (3/4") DN20	d32 (1") DN25	d40 (1 1/4") DN32	d50 (1 1/2") DN40	d63 (2") DN50	d75 (2 1/2") DN65
	mbar					
PP	10	11	17	20	29	35
PP + magnet	10	11	17	20	29	35
1.4571 (AISI 316 Ti)	14	16	22	25	33	42
1.4571 (AISI 316 Ti) + magnet	14	16	22	25	33	42

TYPE 750 (LIQUID FLUID) PRESSURE LOSS

Size Float Material	d16 (3/8") DN10	d20 (1/2") DN15	d25 (3/4") DN20	d32 (1") DN25
	mbar			
PP	4	5	7	8
PP + magnet	4	5	7	8
1.4571 (AISI 316 Ti)	7	9	12	15
1.4571 (AISI 316 Ti) + magnet	7	9	12	15

Easyflow - Dimensions



Type 700/701	Socket	Threaded BSP		Socket		Tube length
DN	d	R	A (mm)	B (mm)	C (mm)	E (mm)
20	25	3/4"	397	394	356	350
25	32	1"	401	400	356	350
32	40	1 1/4"	406	408	356	350
40	50	1 1/2"	413	418	356	350
50	63	2"	421	432	356	350
65	75	2 1/2"	-	444	356	350

Type 750/751	Socket	Threaded BSP		Socket		Tube length
DN	d	R	A (mm)	B (mm)	C (mm)	E (mm)
10	16	3/8"	198	199	171	165
15	20	1/2"	212	208	176	170
20	25	3/4"	232	229	191	185
25	32	1"	251	250	206	200

ACCURACY CLASS

TYPE 700

Accuracy Class	2.5
Standard	VDI/VDE 3513, sheet 2
Accuracy	± 1.875% of reading + 0.625% of full scale

TYPE 750

Accuracy Class	4
Standard	VDI/VDE 3513, sheet 2
Accuracy	± 3% of reading + 1% of full scale

Easyflow - MEASURING RANGES FOR DIFFERENT FLOAT MATERIALS

TYPE 700 LONG VERSION

	Nominal size			Tube	Liquid fluid					
					Water H ₂ O	Hydrochloric acid HCl 30%	Sodium Hydroxide NaOH 30%	Sodium Hydroxide NaOH 50%		
	d DN R				Code	Tube material				
						PVC-U - PA - PSU	PVC-U - PSU			
					Measuring Range [l/h]					
Float material: SS or SS + magnet	25	20	3/4"	40	25-250	-	6-125	1-27		
				41	40-400	-	10-240	2,5-70		
				42	60-640	-	25-425	5-170		
	32	25	1"	43	100-1000	-	35-725	15-350		
				46	40-400	-	10-240	2,5-65		
				47	60-640	-	20-420	5-145		
				48	100-1000	-	25-700	10-330		
				49	150-1600	-	50-1200	25-675		
				50	150-1600	-	50-1150	25-550		
	40	32	1 1/4"	51	200-2500	-	100-1900	50-1100		
				52	400-4000	-	200-3200	100-2000		
				55	200-2500	-	100-1700	50-1000		
	50	40	1 1/2"	56	400-4000	-	200-3000	50-1900		
				57	500-5000	-	200-3700	100-2500		
	63	50	2"	60	400-4000	-	100-3000	50-1800		
				61	600-6000	-	250-4700	100-3100		
				62	1000-10000	-	500-8500	250-6000		
				66	1500-15000	-	1000-12000	250-9000		
67				2000-20000	-	1500-16500	500-12500			
68				10000-50000	-	8800-43000	8200-40000			
75				65	2 1/2"	63	400-4000	-	100-3000	50-1800
						64	600-6000	-	250-4700	100-3100
Float material: PP or PP + magnet	25	20	3/4"	40	15-150	14-140	2,5-54	0,5-9,5		
				41	25-250	23-230	6-115	1,5-23		
				42	45-450	42-420	11-235	3-65		
	32	25	1"	43	70-700	65-650	28-410	7-145		
				46	25-250	23-230	6-125	1-20		
				47	40-400	37-370	10-200	2,5-50		
				48	65-650	60-600	11-395	5,5-130		
				49	100-1000	90-900	25-650	10-260		
				50	100-1000	80-900	25-600	10-200		
	40	32	1 1/4"	51	160-1600	150-1500	55-1100	20-500		
				52	200-2500	200-2300	100-1700	25-950		
				55	150-1600	140-1500	50-1000	25-425		
	50	40	1 1/2"	56	200-2200	190-2000	100-1500	25-800		
				57	250-2500	230-2300	120-1600	40-950		
	63	50	2"	60	250-2500	230-2300	60-1700	30-800		
				61	350-3500	330-3200	90-2500	40-1400		
				62	500-5000	470-4600	200-4000	80-2500		
				66	1000-8000	950-7500	670-6000	330-3800		
67				1000-10000	930-9300	500-7500	170-5200			
68				5000-25000	4700-23000	4400-22000	4100-20000			

Special scales on request

TYPE 701 LONG VERSION

	Nominal size			Tube	Gases fluid		
					Air 1.103 bar abs. 20° C		
	d DN R				Code	Tube material	
						PA	
					Measuring Range [Nm ³ /h]		
					Float material: PP	Float material: PP magnet	
Float material: PP air and PP air + magnet	25	20	3/4"	40	0,2-2,5	0,6-6	
				41	0,3-4	1-10	
				42	0,5-6,5	1,6-16	
	32	25	1"	43	1-10	2,5-25	
				46	0,4-4	1-10	
				47	0,5-6,5	1,6-16	
				48	1-10	2,5-25	
				49	1,5-16	4-40	
				50	1,5-16	4-40	
	40	32	1 1/4"	51	2-25	6-60	
				52	4-40	10-100	
				55	2-25	6-60	
	50	40	1 1/2"	56	4-40	10-100	
				57	5-50	12,5-125	
	63	50	2"	60	4-40	10-100	
				61	6-64	16-160	
				62	10-100	25-250	
				66	15-140	35-350	
67				20-200	50-500		
68				50-500	on request		

Special scales on request

Easyflow - MEASURING RANGES FOR DIFFERENT FLOAT MATERIALS

TYPE 750 SHORT VERSION

	Nominal size			Tube	Liquid fluid				
					Water H ₂ O	Hydrochloric acid HCl 30%	Sodium Hydroxide NaOH 30%	Sodium Hydroxide NaOH 50%	
	Tube material				Measuring Range [l/h]				
	d	DN	R		Code	PVC-U - PA - PSU	PVC-U - PSU		
Float material: SS or SS + magnet	16	10	3/8"	1	3-30	-	-	-	
				2	4-40	-	0,5-8,5	0,05-1,4	
				3	10-100	-	2,5-40	0,5-8	
				4	20-200	-	10-120	2,5-40	
				5	30-300	-	15-180	4-55	
	20	15	1/2"	10	5-50	-	-	-	
				11	10-100	-	2,5-37,5	0,25-6,5	
				12	15-160	-	4-75	1-15	
				13	20-250	-	5-140	2-36	
				14	35-350	-	9-220	4-75	
	25	20	3/4"	15	60-600	-	24-360	6-140	
				20	15-150	-	-	-	
				21	25-250	-	6-135	2,5-30	
				22	40-400	-	13-230	3-65	
				23	50-600	-	20-350	4-135	
	32	25	1"	24	100-1200	-	25-650	20-320	
31				40-400	-	10-220	2,5-55		
32				50-600	-	20-350	5-125		
33				100-1000	-	25-650	20-300		
34				150-1500	-	50-1000	25-600		
Float material: PP or PP + magnet	16	10	3/8"	1	1,5-15	1,4-14	-	-	
				2	2-20	2-18	0,25-3	0,025-0,5	
				3	5-50	5-45	1-17	0,25-2,75	
				4	10-100	10-90	2,5-45	0,5-9	
				5	15-150	14-140	5-75	1-21	
	20	15	1/2"	10	2-25	2-23	-	-	
				11	5-50	5-45	1-12,5	0,1-2	
				12	10-100	10-90	2-34	0,25-5,5	
				13	15-150	14-140	2,5-63	0,5-12,5	
				14	20-200	19-185	5-104	2-25,5	
	25	20	3/4"	15	30-320	30-300	10-170	2,5-47,5	
				20	8-80	7,5-75	-	-	
				21	15-150	14-140	3,5-60	1-10	
				22	20-200	19-185	5-92	1-19	
				23	30-350	30-325	8-165	2-45	
	32	25	1"	24	50-650	45-600	20-380	4-130	
31				20-200	19-185	5-90	1-15		
32				30-300	28-280	7,5-150	2-40		
33				60-600	55-550	20-360	5-110		
34				100-1000	90-900	25-650	10-260		

Special scales on request

TYPE 751 SHORT VERSION

	Nominal size			Tube	Gases fluid		
					Air 1,103 bar abs. 20° C		
	Tube material				Measuring Range [Nm ³ /h]		
	d	DN	R		Code	Float material: PP	Float material: PP magnet
Float material: PP air and PP air + magnet	16	10	3/8"	1	0,025-0,25	0,06-0,6	
				2	0,04-0,4	0,1-1	
				3	0,1-1	0,25-2,5	
				4	0,2-2	0,45-4,5	
	20	15	1/2"	10	0,045-0,45	0,12-1,2	
				11	0,09-0,9	0,2-2	
				12	0,15-1,5	0,35-3,5	
				13	0,25-2,5	0,6-6	
				14	0,38-3,8	1-10	
	25	20	3/4"	15	0,4-4,8	1,25-12,5	
				20	0,12-1,2	0,3-3	
				21	0,3-2,5	0,6-6	
				22	0,45-4,5	1,2-12	
				23	0,6-6,5	1,6-16	
	32	25	1"	24	1,1-11	2,7-27	
				31	0,6-4	1-10	
32				0,7-7	1,7-17		
33				1,1-11	2,7-27		
			34	2-14	3,5-35		

Special scales on request

Easyflow - Variable Area Flow Meters

Description		Material	Quantity
5	1 Tube	Transparent PVC-U	1
		Trogamid (PA)	
		Polysulfon (PSU)	
4	2 Adjustable visual flow indicator	PVDF	2
6			
7.1	3* Floater wing	PVDF	1
8	4 Nut	PVC-U	2
3		PVC-C	
		PP	
		Stainless Steel	
2	5 End connector	PVC-U	2
1		PVC-C	
		PP	
		Stainless Steel	
2	6 O-Ring	Malleable Cast Iron	2
		EPDM	
7.2	7.1 Upper float stop	FPM	2
6	7.2** Lower float stop	PVDF	1
4		PVDF	1
5	8 Float	Stainless Steel	1
		PP	

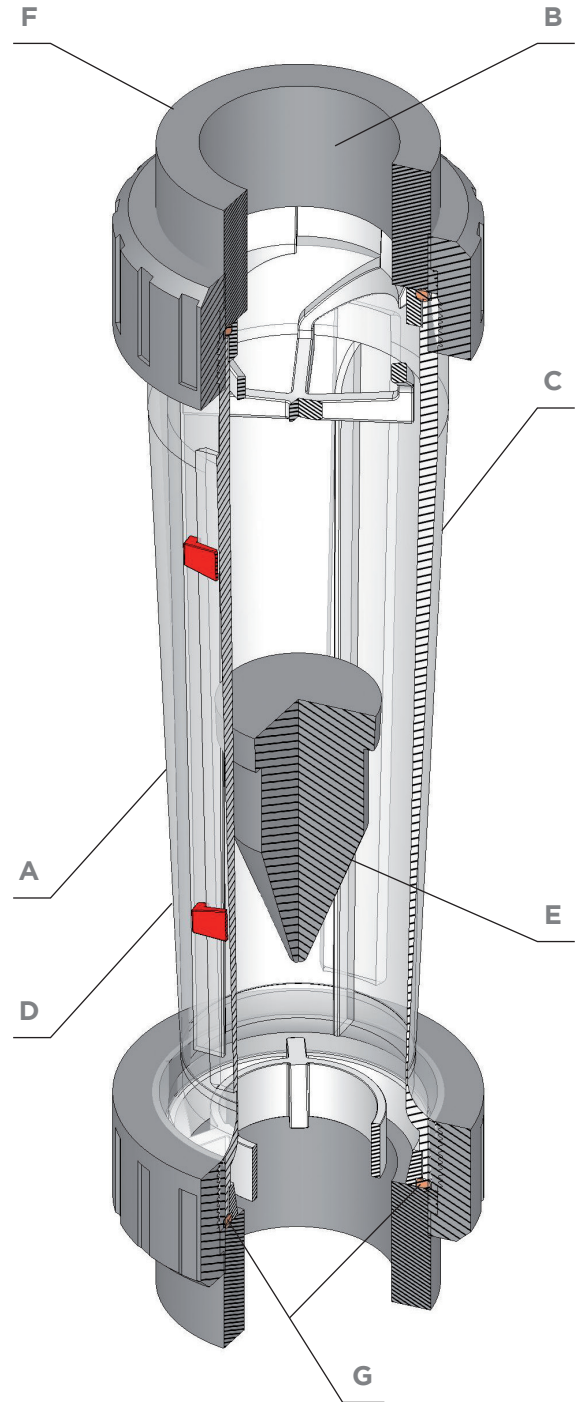
* For Code 68 only

** 7.2 for 700/701 only

Easyflow - Dimensions

A	B	C	D	E	F	G	H
Type	Size	Tube code	Tube material	Floater material	Connection	O-ring material	Fluid

Pos.	Description	Code	Specification
A	Type: See page 3/6	700	flowmeter type 700
		701	flowmeter type 701
		750	flowmeter type 750
		751	flowmeter type 751
B	Size: See page 4	DN	10, 15, 20, 25, 32, 40, 50, 65
C	Tube: See page 6-8	1, 2, 3, ..., 68	Tube
D	Tube material: See page 7-8	1	Trogamid
		2	Polysulfon
		3	PVC
E	Floater material: See page 4	2	Stainless steel
		5	PP (weighted)
		2M	Stainless steel -magnet
		5M	PP-magnet (weighted)
F	Connection:	10	PVC Standard plain socket
		11	PVC BS plain socket
		12	PVC ASTM plain socket
		13	PVC threaded socket BSP
		21	PP ISO-welding socket
		31	PVDF ISO-welding socket
		40	CPVC Standard plain socket
		70	Stainless steel, union end with threaded socket
G	O-ring material:	1	EPDM (Ethylene-Propylene)
		2	FPM (Viton)
H	Fluid:	H ₂ O	Water
		NaOH 30	Caustic soda 30%
		NaOH 50	Caustic soda 50%
		HCL 30	Hydrochloric acid 30%
		AIR	Air
V-number	Special scale		



Specification required for special scale

Physical condition	_____	Absolute pressure in bar (for gases)	_____
Fluid	_____	Temperature in °C	_____
Density	_____	Measuring range	_____
Viscosity in mPas	_____		

Easyflow - Accessories

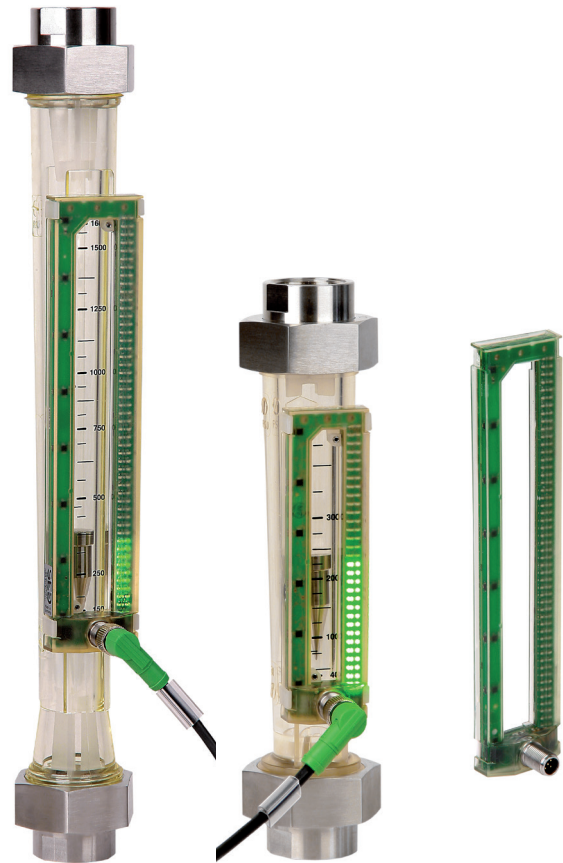
MEASURING SENSOR

Measuring sensor for all types of variable area flowmeters suitable to be applied to liquids and gases.

The measuring sensor provides a continuous signal of the flow throughout the complete measuring range. The sensor detects the floater position even with non-transparent or turbid media in the flowmeter EasyFlow. The continuous position detection is carried out with several magnetic field sensors over a length of up to 200mm.

The measuring sensor is installed via a modular mounting clip concept on all Easyflow standard types. Due to the product design, the scale still remains visible. The parameterization of the sensor is possible by pushing capacitive buttons.

Further possible settings include the activation of MIN/MAX indicator bar, the individual adjustment of the analog process signal (0-10V or 0/4-20mA) or the brightness of the LED bar display. With a 5-pin M12 connector as an electrical interface, a supply voltage of 24V DC and the device protection class IP67, the measuring sensor can be used in many areas of plant automation.



FEATURES

- Modular mounting concept
- Visibility of scale
- Capacitive touch buttons
- Electrical interface, M12 industrial connector
- Floater position visualized with LED row
- Floater position remains visible
- Only two types to cover all ranges

TECHNICAL DATA

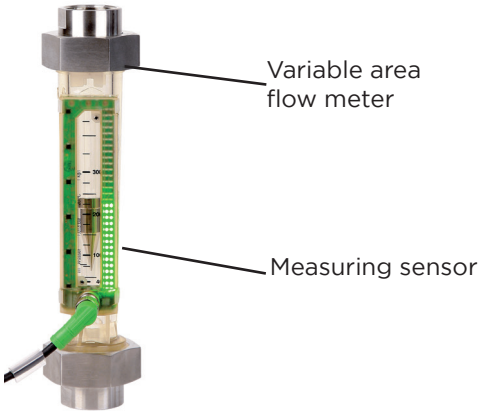
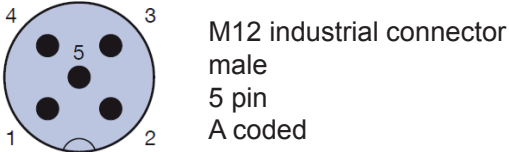
- Power Supply** - 24V DC
- Output Signal** - 4-20mA/0-10V
- IP-Class** - IP67
- Housing Material** - PPSU
- Mounting** - 2 clips
(Many interfaces available)
- Electrical Connection** - Multipol M12, 5 pin, a-coded
- Temperature** - -10° ... +70°C
- Power Consumption** - Type 1,5 W
- Accuracy** - ± 1%
- CE** - EMV 2004/108/EG
- Operation** - 3x capacitive touch keys
- Floater position** - Visualized with 50/31 LEDs

Article-Code	Type flowmeter	
	700/701	750/751
024.86.119		•
024.86.202	•	

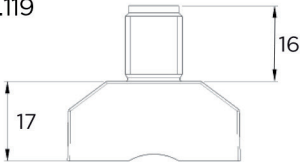
Easyflow - Accessories

Electrical interface, M12 connector

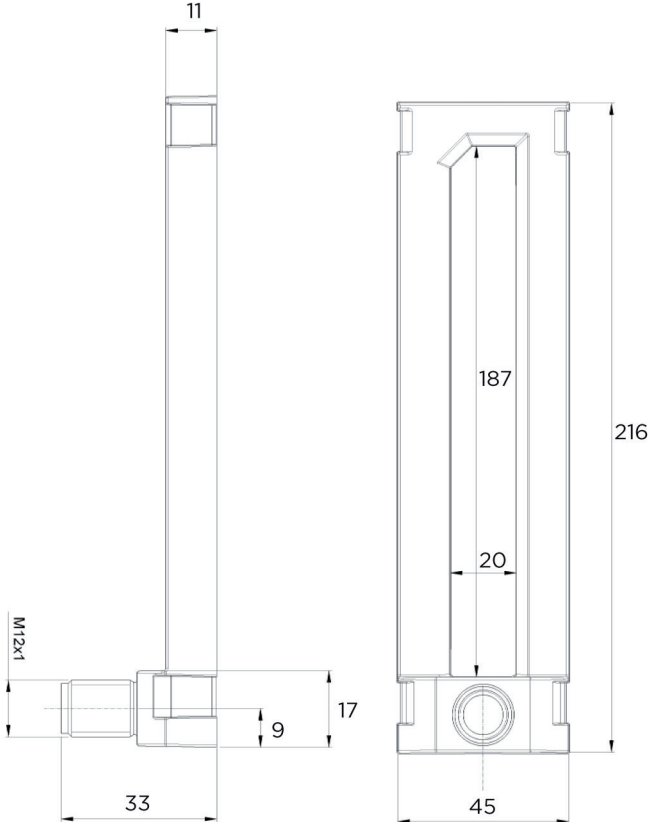
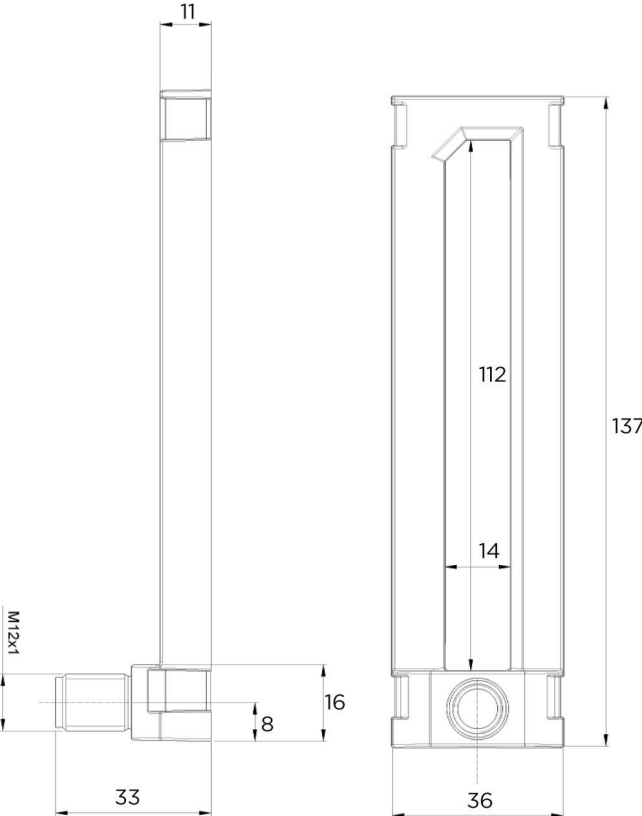
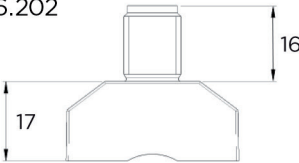
024.86.119	1	$U_V = 24\text{ V DC}$
	2	analog OUT 4-20 mA (max. 500Ω)
024.86.202	3	$U_V = \text{GND}$
	4	analog OUT 0-10 V (min. 10kΩ)
	5	ser. communication (as option)



Article Code 024.86.119



Article Code 024.86.202



Easyflow - Accessories

MICRO SWITCHES

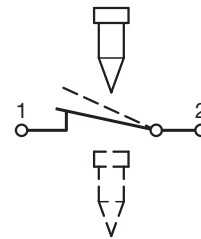
The micro switches are clamped on the guide of the flowmeter. A bi-stable reed contact is built into the switches and it is activated by the magnet incorporated into the float.

The bistable magnetic micro switch is used as a position indicator for floats in SED flowmeters. Measurements can be expressed contact-free and nonreactive.

The micro switches, with IP65 protection class, are available for MIN or MAX flow rate indication with a different design according to flowmeter sizes.

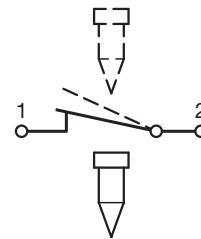
MAX control switch 024.86.050 / .055

It closes when the MAX threshold is overshot upward.



MIN control switch 024.86.060 / .065

It closes when the MIN threshold is overshot downward.



CLASSIFICATION

Article-Code	Type flowmeter			
	700/701	750/751 DN10-20	750/751 DN25	
024.86.050	•		•	Reduced height on request
024.86.055		•		
024.86.060	•		•	Reduced height on request
024.86.065		•		

Easyflow - Technical Data

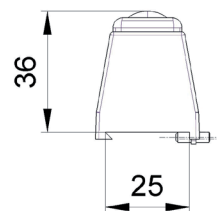
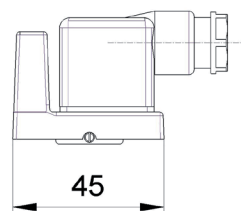
Body material	- PP GRP	
Connection	- DIN 43650	024.86.050
Protection rate	- IP65	024.86.060
Contact resistance	- 0.1 Ω	
Contact insulation resistance	- from $10^{11} \Omega$	
Closing time	- 1.1 msec.	
Opening time	- 0.05 msec.	
Working Temperature	- from -40° to +80° C	
Contact Material	- Ruthenium with inert protective gas	
Max operating power	- 30 Watt	
Max operating voltage	- 250 V DC/AC	
Max input peak	- 0.5 A	024.86.055
Max current	- 0.5 A	024.86.065
Standards	CE conformity RoHS conformity	



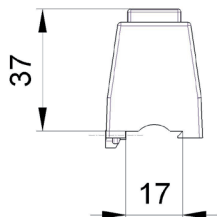
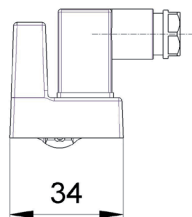
Caution: Take care of max current otherwise you may destroy the contact

DIMENSIONS

024.86.050
024.86.060



024.86.055
024.86.065



Overview Product Range

Diaphragm Valve



Aseptic Diaphragm Valve



Industrial Metal Diaphragm Valve



Plastic Diaphragm Valve

Angle Seat Valve



Two-Way Metal Angle Seat Valve

Aseptic Process Solution



Sterile sampling unit

System Components



Contact - Free Limit Switch



Control Head



Digital Electropneumatic Positioner

Flow Measurement



Variable Area Flowmeter

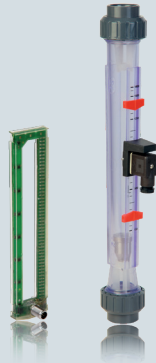
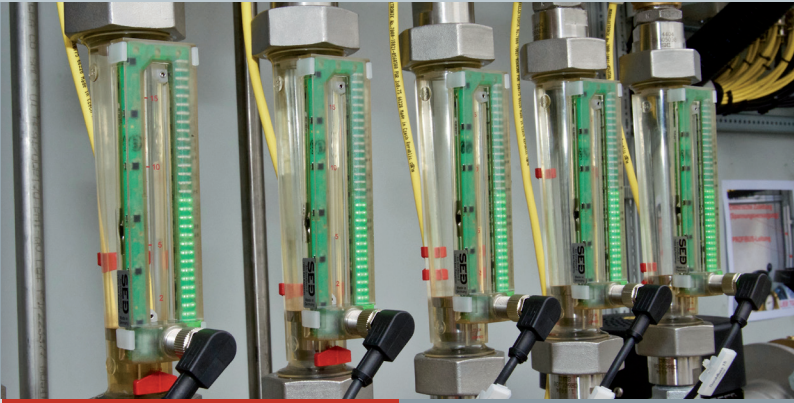


Measuring Sensor

SAMSON

SAMSON SED

CATALOG



Variable Area
Flowmeter
Easyflow

SED Flow Control GmbH
Am Schafbaum 2 · 74906 Bad Rappenau
Telefon: +49 7264 921 0 · Telefax: +49 7264 921 21
E-Mail: info@sed-flowcontrol.com · Internet: www.sed-flowcontrol.com

TD11 0020 Rev. Subject to alteration

SMART IN FLOW CONTROL.