

Spare Parts List for Type 3271/3277 (240, 350, 700 cm²)



Your contact details:

Title:

Name:

Company:

Customer no.

Street:

ZIP/postal code, city:

Country:

E-mail:

Phone:

Ordering spare parts

The spare parts for Type 3271/3277 are listed on the next pages. This document can also be used for ordering:

1. Fill in your contact data and information on the product.
2. Enter the quantity of spare parts needed.
3. Click [Send form] button to attach the PDF form to an e-mail.
4. Attach additional information (e.g. invoice, photos) to the e-mail, if necessary.
5. Send e-mail to spareparts-de@samsongroup.com.

Either

Configuration ID (Var-ID):

or

SAMSON order no.:

Position in order:

or specifications on the nameplate

(description of the currently valid nameplate ► EB 8310-6)

Type number	Fail-safe action
Country of origin	Manual operation
Serial number	Diaphragm material
Actuator area	Connecting thread
Bench range in bar and psi	Date of manufacture
Operating travel in mm	Operating medium
Operating range in bar and psi	
Permissible supply pressure pmax in bar or psi	

Send form

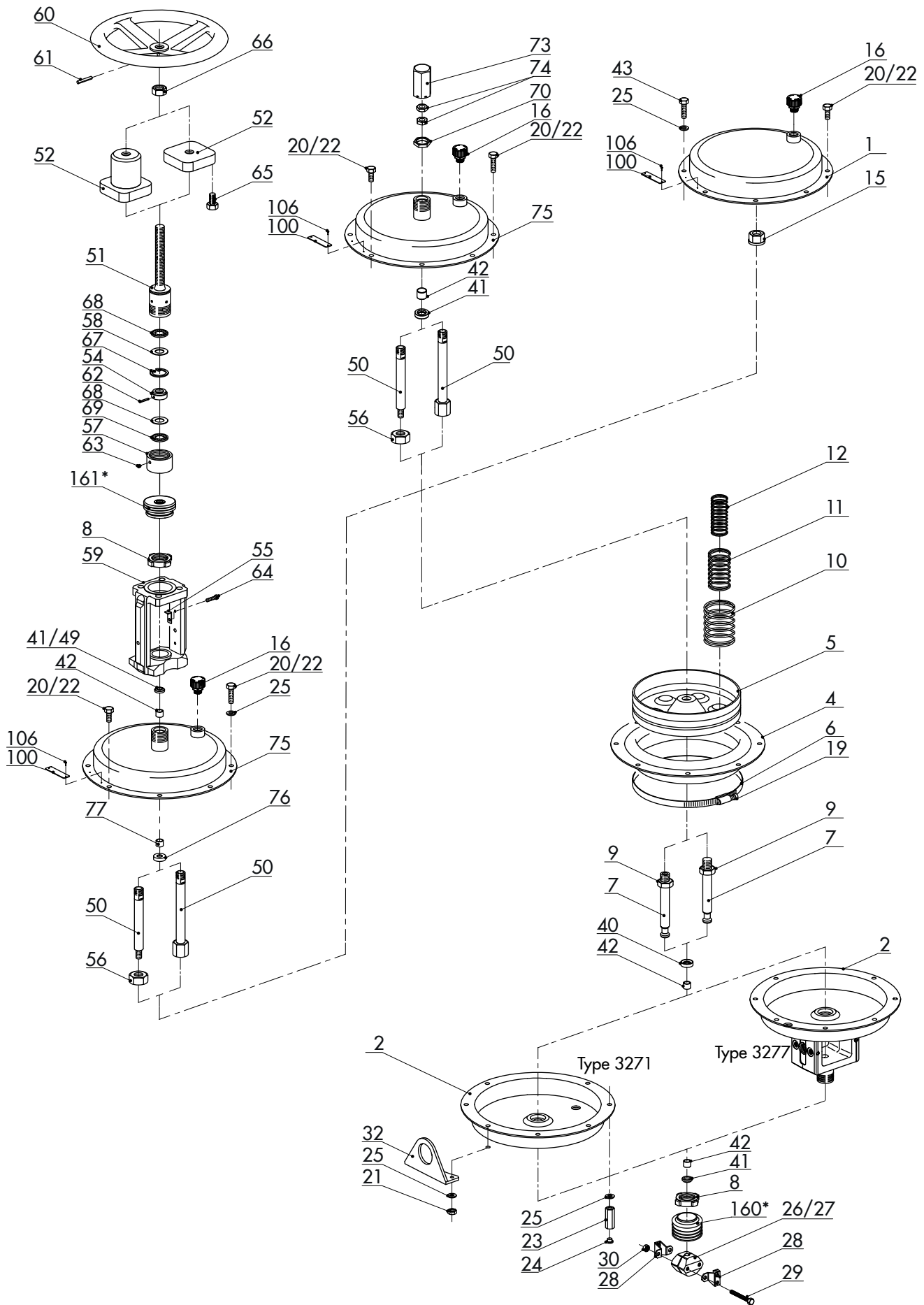
Print form

Clear form

Edition August 2020

Spare Parts List

EL 8310-6 EN



Spare part no.		Qty.	Filled in by SAMSON: material no.
1	Top diaphragm case		
2	Bottom diaphragm case		
4	Diaphragm		
5	Diaphragm plate		
6	Hose clamp		
7	Actuator stem		
8	Ring nut		
9	Hex nut		
10	Spring (external)		
11	Spring (internal)		
12	Spring (internal)		
15	Collar nut		
16	Vent plug		
19	Compressor on the hose clamp (6)		
20	Hex bolt		
21	Hex nut		
22	Hex bolt (preloading)		
23	Hex nut (preloading)		
24	Screw plug		
25	Washer		
26	Stem connector clamp		
27	Stem connector clamp		
28	Clamp with bracket		
29	Hex bolt		
30	Hex nut		
32	Hanger		
40	Radial shaft seal		
41	Wiper ring		
42	Dry bearing		
43	Hex screw for hanger (32)		
49	Wiper ring ¹⁾		
50	Actuator stem		
51	Stem connector		
52	Screwed flange		

Spare part no.		Qty.	Filled in by SAMSON: material no.
54	Ring		
55	Pointer		
56	Hex nut ²⁾		
57	Coupling nut		
58	Sliding washer		
59	Yoke		
60	Handwheel		
61	Dowel pin		
62	Dowel pin		
63	Threaded pin		
64	Cap screw		
65	Hex screw		
66	Lock nut		
67	Retaining ring		
68	Axial needle seal		
69	Washer		
70	Hex nut (lock nut)		
73	Cover		
74	Hex nut		
75	Top diaphragm case		
76	Radial shaft seal		
77	Dry bearing		
100	Nameplate		
101	Label (preloading)		
106	Grooved pin		
160*	Dust shield (option)		

¹⁾ Only for version with 240 cm² actuator area

²⁾ Replaces collar nut (15) in version with travel stop or handwheel

Specifications subject to change without notice
