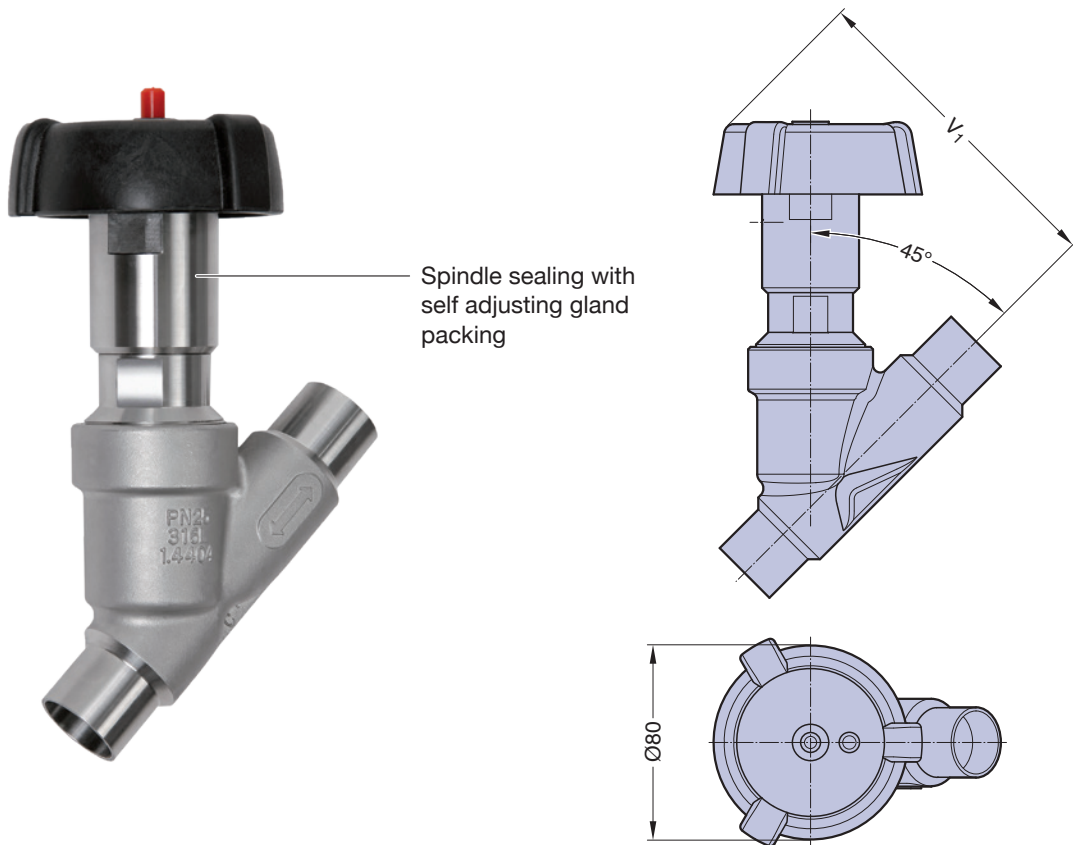


Type 580, Manually operated



Advantages:

- Hygienic design, easy cleaning
- High temperature resistance
- Minimized dead leg design
- Optical position indicator
- Easy maintenance
- Good regulation properties
- Clean and smooth exterior for sterile washdowns

Measurement and weight table

DN	V ₁	Total weight ca. (kg)
15	137	1,1
20	135	1,3
25	135	1,6
32	154	2,3
40	154	2,8
50	154	4,3

Valve body types see page 115 - 117

Control equipment and accessories see page 132 - 139

Working pressure, see table page 101.
All pressures are gauge pressures.

Ordering key see page 118 and 119.